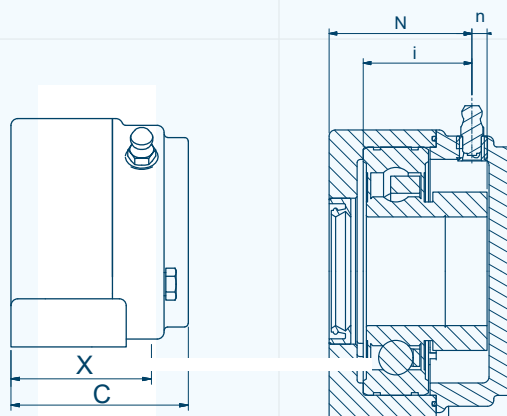
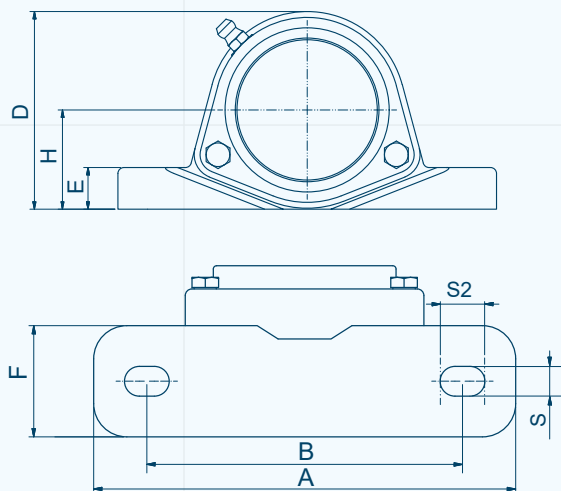


SF2 - 2-bolt pillow block bearing units

Waterproof



Technical specifications & drawings



TYPE SF2	Item no. closed cover	Item no. open cover	A	B	C	D	E	F	H	S	S2	X	i	n	N	Weight [kg]
Ø20 mm	NGB20SF20	NGB20SF21	127	95	52	67	14	33,5	33,3	9	13,5	43	27	4,5	38	0,42
Ø25 mm	NGB25SF20	NGB25SF21	140	105	53	73	15	34,5	36,5	9	13,5	44	28	4,0	39	0,51
Ø30 mm	NGB30SF20	NGB30SF21	160	121	59	85	17	38,5	42,9	11	16,5	48	34	3,2	45	0,77
Ø35 mm	NGB35SF20	NGB35SF21	167	127	60	93	18	38,5	47,6	13	19,5	52	35	4,9	46	0,93
Ø40 mm	NGB40SF20	NGB40SF21	184	137	66	100	18	42,5	49,2	13	19,5	54	40	5,2	51	1,30

All measurements are in millimeters. When ordering please use the catalogue numbers.

BJ-Gear A/S

Niels Bohrs Vej 47
DK-8660 Skanderborg
Denmark

Phone +45 87 40 80 80
Email bj@bj-gear.com
Website www.bj-gear.com